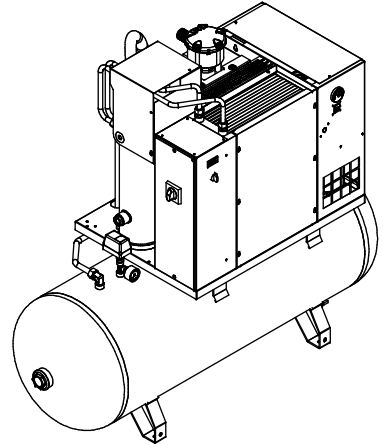
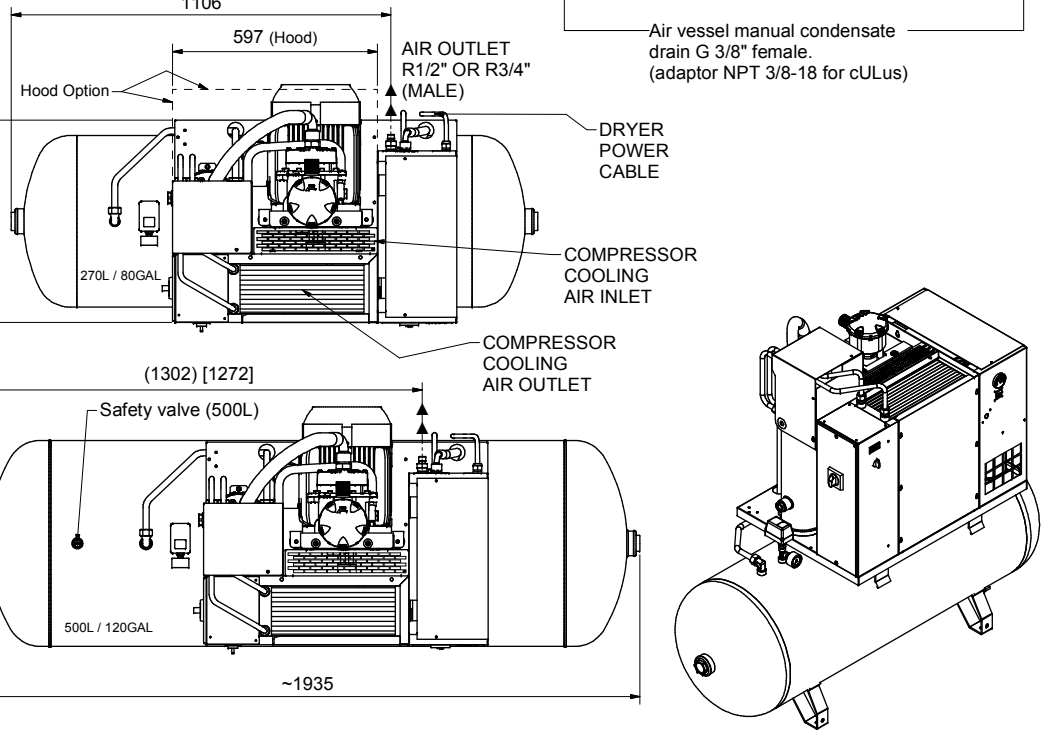
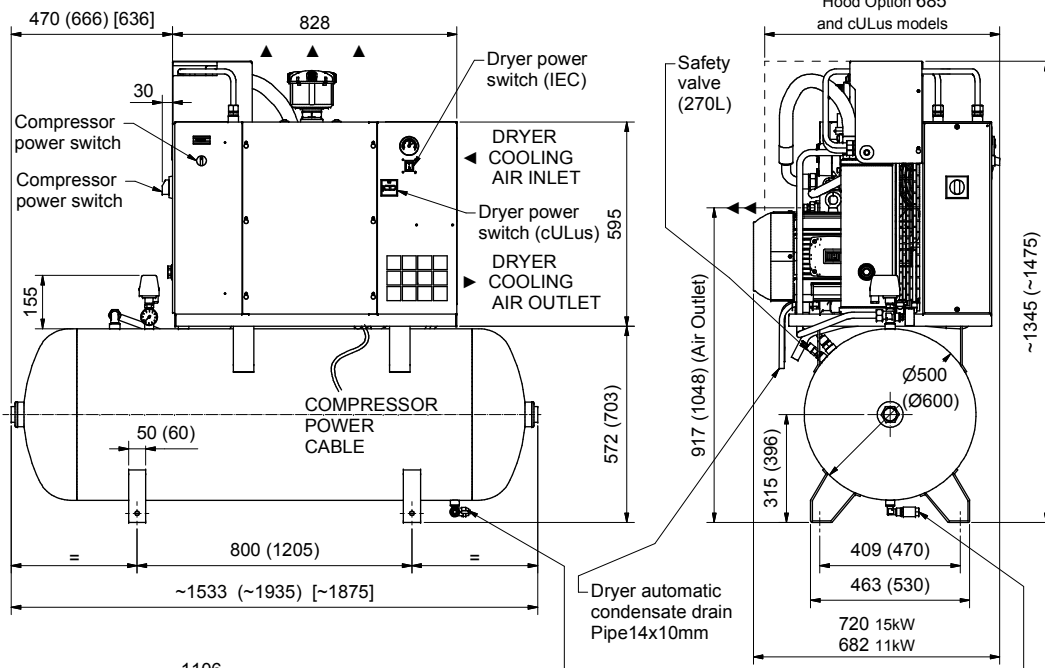
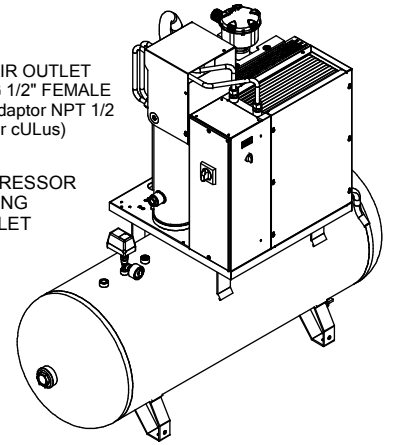
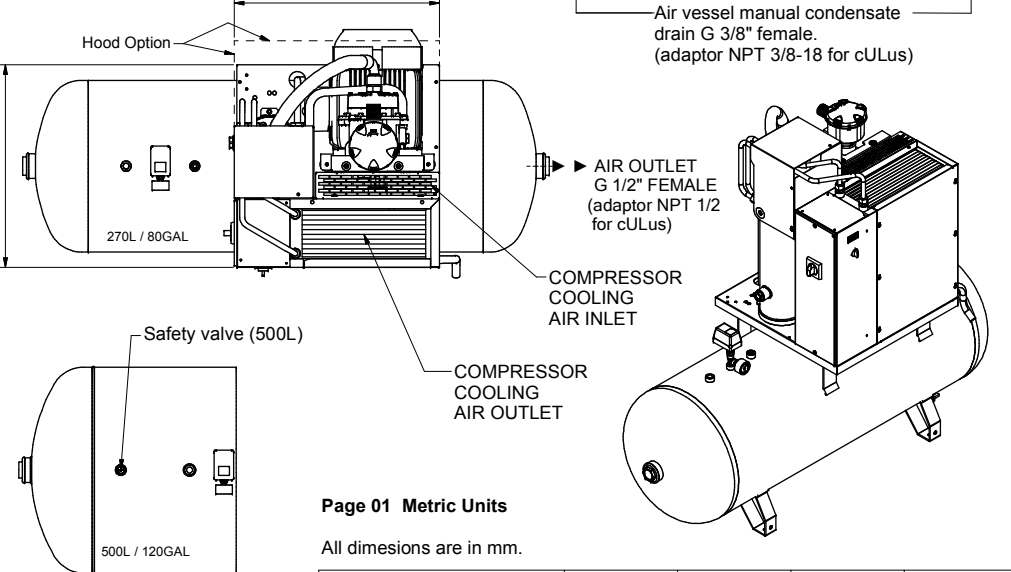
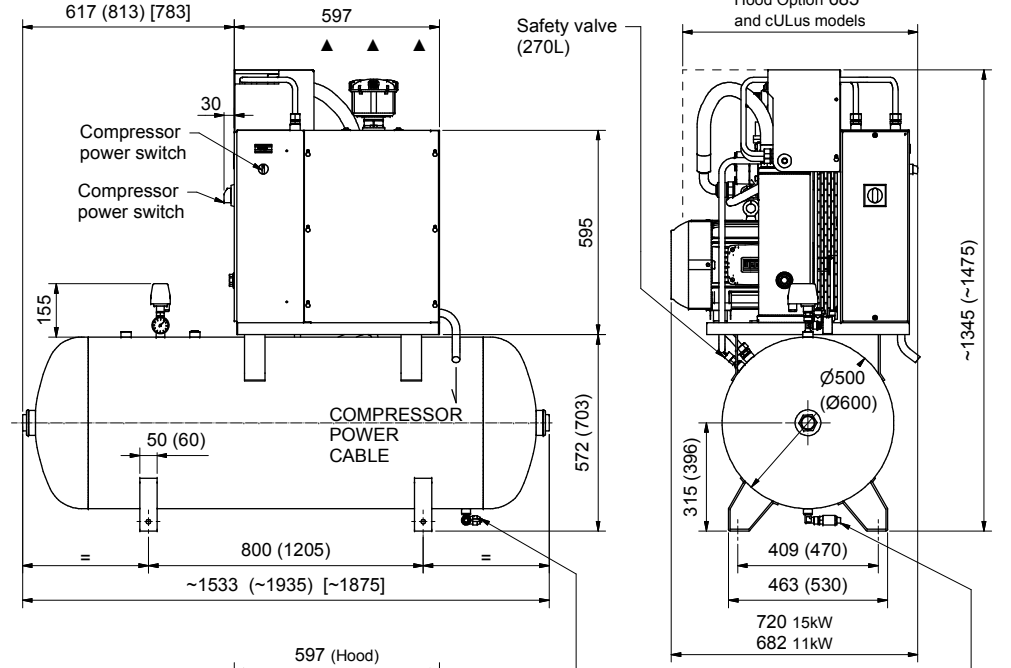


COMPRESSOR 11-15kW WITH DRYER AND 270L / 80GAL AIR VESSEL
 (500L AIR VESSEL DIMENSIONS WITHIN BRACKET)
 [120GAL AIR VESSEL DIMENSIONS WITHIN BRACKET]



COMPRESSOR 11-15kW WITHOUT DRYER AND 270L / 80GAL AIR VESSEL
 (500L AIR VESSEL DIMENSIONS WITHIN BRACKET)
 [120GAL AIR VESSEL DIMENSIONS WITHIN BRACKET]



Page 01 Metric Units

All dimenions are in mm.

| | | | | | | | | | |
|---|--|----------------------------|--|-------------------------|--|--------------------------|--|---------------|--|
| Tolerances, if not indicated, according to: | | ATLAS COPCO STANDARD CLASS | | Name DIMENS. DRWG | | DIMENS. DWG C55 | | Secrecy Class | |
| Material NOT APPLICABLE | | Treatment Not Applicable | | Material NOT APPLICABLE | | LOWCOST Y PLAT | | 1102 K / 2 | |
| Version Drwg 00.01 | | Scale | | Family C55 Low Cost | | A2 Compare | | Drawing owner | |
| Des checked. | | Prod checked. | | Approved. | | Date 2011-07-18 | | Replaces | |
| Parent 3D model | | Ed. Version 3D | | STATUS Preliminary | | 0 Kg Fini wt. 398,476 kg | | Designation | |
| 9828493032 | | 00.01 | | 9828493032 | | Sheet 1 / 1 | | CAI | |
| 9828493032 | | 9828493032 | | 9828493032 | | 9828493032 | | 9828493032 | |

CONFIDENTIAL: This document is our property and shall not be distributed or used for manufacturing or commercial purposes by any other person or company.

| | | | |
|-------|----------|---------------|-------------|
| 00.00 | ISSUED | 2011-07-21 | |
| Ed | Position | Modified from | Intr./Appd. |